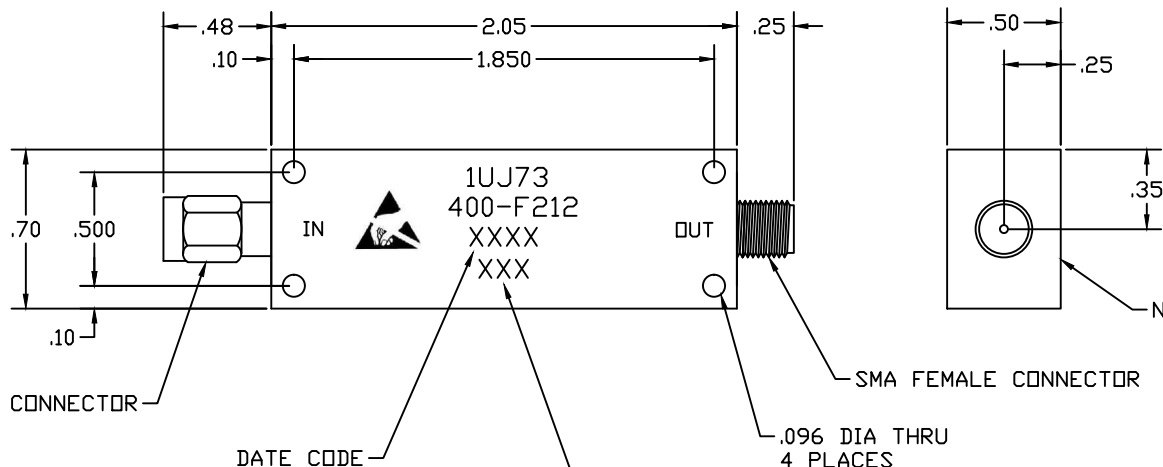


REVISIONS				
ZONE	SYM	DESCRIPTION	DATE	APPROVED
	-	INITIAL RELEASE	7-18-17	MRG



SPECIFICATIONS

FREQUENCY RANGE:	2-4 GHz
PEAK POWER:	.75 kW
AVERAGE POWER:	45 WATTS
SPIKE LEAKAGE:	20 dBm MAX
FLAT LEAKAGE:	17 dBm MAX
INSERTION LOSS:	1.0 dB MAX
VSWR :	1.8:1 MAX
RECOVERY TIME::	3 MICROSEC MAX
PULSE WIDTH:	10 MICROSEC MAX

CAUTION
 STATIC SENSITIVE MATERIAL
 ALL HANDLING/INSPECTION TO BE PERFORMED
 ONLY AT APPROVED WORK STATIONS

- NOTES:**
- FINISH: WASH PRIMER PER DOD-P-15328D
 PRIMER PER MIL-P-23377D
 PAINT PER MIL-C-22750
 COLOR :BLUE
 - MARKING: BLACK EPOXY INK .06 HIGH CHARACTERS EXCEPT
 SERIAL NUMBER AND DATE CODE .08 HIGH
 PER MIL-STD- 130

THESE DRAWINGS AND SPECIFICATIONS ARE THE PROPERTY OF RH LABS AND SHALL NOT BE REPRODUCED OR COPIED OR USED IN PART AS THE BASIS FOR THE MANUFACTURE OR SALE OF ITEMS) WITHOUT WRITTEN PERMISSION									
UNLESS OTHERWISE SPECIFIED DIMENSIONS ARE IN INCHES TOLERANCES ON FINISH RMS63 ANGLES:1/2° FRACTIONS:1/64 3 PLACE DECIMALS: ±.010 2 PLACE DECIMALS: ±.02 1 PLACE DECIMALS: ±.1 FILLETS: .005R MAX REMOVE BURRS AND SHARP EDGES TO .005 MAX. R OR CHAMFER			DRAFT	MRG	DATE	7-18-17	TITLE	OUTLINE	
	CHKD	MRG					LIMITER 2-4 GHz		
	PRDD						SIZE	CAGE CODE	DWG NO
	ENGR						B	1UJ73	400-F212
	QA						SCALE 2X		SHEET 1 OF 1