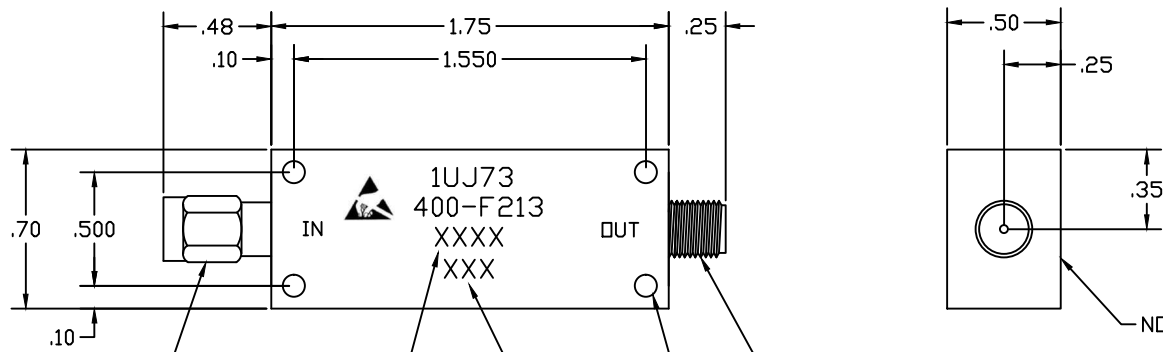


REVISIONS				
ZONE	SYM	DESCRIPTION	DATE	APPROVED
	-	INITIAL RELEASE	7-18-17	MRG



SMA MALE CONNECTOR

DATE CODE

SERIAL NUMBER

.096 DIA THRU
4 PLACES

SMA FEMALE CONNECTOR

NO PAINT THIS SURFACE

SPECIFICATIONS

FREQUENCY RANGE:	8-12.4 GHz
PEAK POWER:	.75 kW
AVERAGE POWER:	45 WATTS
SPIKE LEAKAGE:	20 dBm MAX
FLAT LEAKAGE:	17 dBm MAX
INSERTION LOSS:	1.6 dB MAX
VSWR :	1.8:1 MAX
RECOVERY TIME::	3 MICROSEC MAX
PULSE WIDTH:	10 MICROSEC MAX

CAUTION
STATIC SENSITIVE MATERIAL
ALL HANDLING/INSPECTION TO BE PERFORMED
ONLY AT APPROVED WORK STATIONS

NOTES:

- FINISH: WASH PRIMER PER DOD-P-15328D
PRIMER PER MIL-P-23377D
PAINT PER MIL-C-22750
COLOR :BLUE
- MARKING: BLACK EPOXY INK .06 HIGH CHARACTERS EXCEPT
SERIAL NUMBER AND DATE CODE .08 HIGH
PER MIL-STD- 130

THESE DRAWINGS AND SPECIFICATIONS ARE THE PROPERTY OF RH LABS AND SHALL NOT BE REPRODUCED OR COPIED OR USED IN PART AS THE BASIS FOR THE MANUFACTURE OR SALE OF ITEMS WITHOUT WRITTEN PERMISSION					
UNLESS OTHERWISE SPECIFIED DIMENSIONS ARE IN INCHES		DRAFT	MRG	DATE	7-18-17
TOLERANCES ON FINISH RMS63		CHKD	MRG	DATE	7-18-17
ANGLES: 1/2° FRACTIONS: 1/64		PRDD			
3 PLACE DECIMALS: ±.010		ENGR			
2 PLACE DECIMALS: ±.02		QA			
1 PLACE DECIMALS: ±.1					
FILLETS: .005R MAX					
REMOVE BURRS AND SHARP EDGES TO .005 MAX. R OR CHAMFER					
TITLE			OUTLINE		
LIMITER 8-12 GHz					
SIZE	CAGE CODE	DWG NO			
B	1UJ73	400-F213			
SCALE 2X			SHEET 1 OF 1		