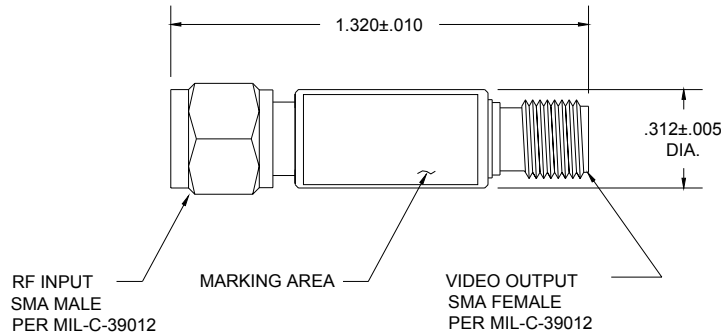


REVISIONS			
SYM	DESCRIPTION	DATE	APPROVED

**SPECIFICATIONS**

RF INPUT FREQUENCY (GHz):	8.0 TO 18.0 GHz
OPEN CIRCUIT SENSITIVITY:	1800 mV/mW MIN.
INPUT POWER RANGE:	TSS TO +10.0 dBM
OUTPUT VOLTAGE FLATNESS vs FREQUENCY:	±0.7 dB
TSS:	-52 dBM MIN.
NOMINAL VIDEO CAPACITANCE:	15 pF
MAX. CW RF INPUT:	+23 dBM
OPERATING TEMP. RANGE:	-55°C TO +125°C
STORAGE TEMP. RANGE:	-65°C TO +150°C

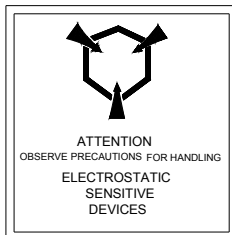


**NOTES:**

1. MATERIAL: BODY, CONNECTORS AND SLEEVE  
CRES PASSIVATED PER QQ-P-35.
2. MARKING: BLACK EPOXY INK

**SPECIFICATION NOTES:**

1. SENSITIVITY MEASURED AT -20dBm, LOAD = 30K OHMS
2. OUTPUT POLARITY IS NEGATIVE. FOR POSITIVE OUTPUT ADD "P" TO PART NUMBER.
3. TSS BASED ON 2 MHz VIDEO BANDWIDTH AND 2 dB AMPLIFIER NF.



<p>THESE DRAWINGS AND SPECIFICATIONS ARE THE PROPERTY OF RH LABS AND SHALL NOT BE REPRODUCED OR COPIED OR USED IN PART AS THE BASIS FOR THE MANUFACTURE OR SALE OF ITEM(S) WITHOUT WRITTEN PERMISSION</p>				
<p>UNLESS OTHERWISE SPECIFIED DIMENSIONS ARE IN INCHES TOLERANCES ON FINISH: RMS63 ANGLES: ±1/2° FRACTIONS: ±1/64 3 PLACE DECIMALS: ± .005 2 PLACE DECIMALS: ± .01 1 PLACE DECIMALS: ± .1 FILLET: .005R MAX REMOVE BURRS AND SHARP EDGES TO .005 MAX. R OR CHAMFER</p>	DRAFT R.A.J.	DATE 8/27/02	TITLE <b>ZERO BIAS DETECTOR</b>	
	CHKD			
	PROD		SIZE <b>A</b>	CAGE CODE 1UJ73
	ENGR R.A.J.	8/27/02	DWG NO	<b>OD930-D105</b>
QA		SCALE 2:1	SHEET 1 OF 1	