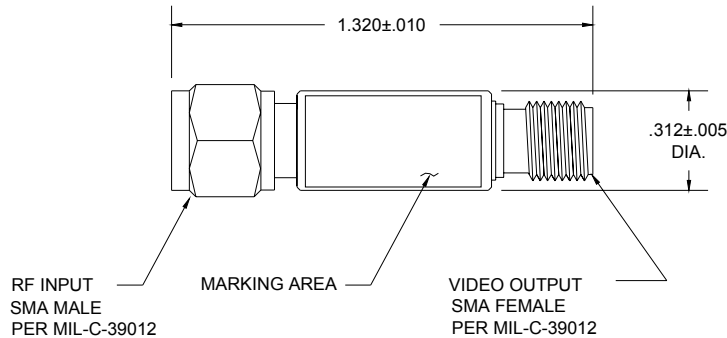


REVISIONS

SYM	DESCRIPTION	DATE	APPROVED

SPECIFICATIONS

RF INPUT FREQUENCY (GHz):	2.0 TO 8.0 GHz
OPEN CIRCUIT SENSITIVITY:	800 mV/mW MIN.
INPUT POWER RANGE:	TSS TO -5.0 dBm
OUTPUT VOLTAGE FLATNESS vs FREQUENCY:	±0.5 dB
RF INPUT VSWR:	2.5:1 MAX.
TSS:	-51 dBm MIN.
OUTPUT IMPEDANCE:	120 OHMS TYP.
NOMINAL VIDEO CAPACITANCE:	30 pF
MAX. CW RF INPUT:	+17 dBm
OPERATING TEMP. RANGE:	-55°C TO +100°C
STORAGE TEMP. RANGE:	-65°C TO +110°C

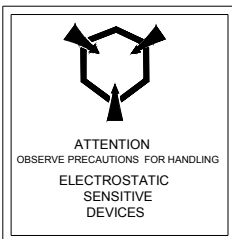


NOTES:

1. MATERIAL: BODY, CONNECTORS AND SLEEVE
CRES PASSIVATED PER QQ-P-35.
2. MARKING: BLACK EPOXY INK

SPECIFICATION NOTES:

1. SENSITIVITY MEASURED AT -20dBm, LOAD = 30K OHMS
2. VSWR MEASURED AT -20dBm, LOAD = 100 OHMS
3. VIDEO IMPEDANCE MEASURED AT -20dBm
4. OUTPUT POLARITY IS NEGATIVE. FOR POSITIVE OUTPUT ADD "P" TO PART NUMBER.
5. TSS BASED ON 2 MHz VIDEO BANDWIDTH AND 2 dB AMPLIFIER NF.



THESE DRAWINGS AND SPECIFICATIONS ARE THE PROPERTY OF RH LABS AND SHALL NOT BE REPRODUCED OR COPIED OR USED IN PART AS THE BASIS FOR THE MANUFACTURE OR SALE OF ITEM(S) WITHOUT WRITTEN PERMISSION



UNLESS OTHERWISE SPECIFIED
DIMENSIONS ARE IN INCHES
TOLERANCES ON FINISH: RMS63
ANGLES: ±1/2° FRACTIONS: ±1/64
3 PLACE DECIMALS: ± .005
2 PLACE DECIMALS: ± .01
1 PLACE DECIMALS: ± .1
FILLETS: .005R MAX
REMOVE BURRS AND SHARP EDGES
TO .005 MAX. R OR CHAMFER

DRAFT	R.A.J.	DATE	8/27/02
CHKD			
PROD			
ENGR	R.A.J.	8/27/02	
QA			

TITLE TUNNEL DIODE DETECTOR			
SIZE A	CAGE CODE 1UJ73	DWG NO OD930-D109	
SCALE 2:1			SHEET 1 OF 1