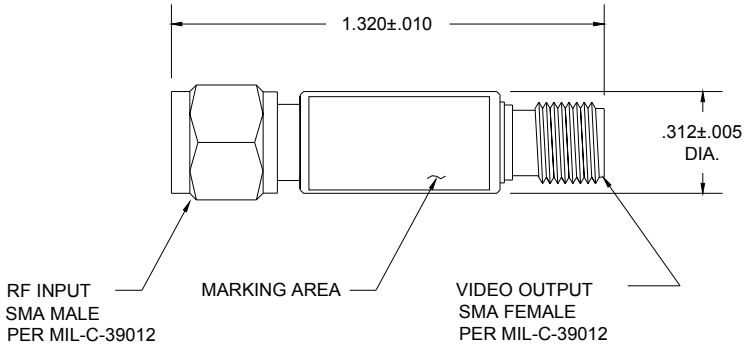


REVISIONS

SYM	DESCRIPTION	DATE	APPROVED

SPECIFICATIONS

RF INPUT FREQUENCY (GHz):	1.0 TO 18.0 GHz
OPEN CIRCUIT SENSITIVITY:	1600 mV/mW MIN.
INPUT POWER RANGE:	TSS TO +5.0 dBm
OUTPUT VOLTAGE FLATNESS vs FREQUENCY:	±1.2 dB
TSS:	-51 dBm MIN.
NOMINAL VIDEO CAPACITANCE:	20 pF
MAX. CW RF INPUT:	+23 dBm
OPERATING TEMP. RANGE:	-55°C TO +125°C
STORAGE TEMP. RANGE:	-65°C TO +150°C



- NOTES:
- MATERIAL: BODY, CONNECTORS AND SLEEVE
CRES PASSIVATED PER QQ-P-35.
 - MARKING: BLACK EPOXY INK

- SPECIFICATION NOTES:
- SENSITIVITY MEASURED AT -20dBm, 100uA BIAS,
VIDEO LOAD = 30K OHMS
 - OUTPUT POLARITY IS NEGATIVE. FOR POSITIVE
OUTPUT ADD "P" TO PART NUMBER.
 - TSS BASED ON 2 MHz VIDEO BANDWIDTH
AND 2 dB AMPLIFIER NF.



THESE DRAWINGS AND SPECIFICATIONS ARE THE PROPERTY OF RH LABS AND SHALL NOT BE REPRODUCED OR COPIED OR USED IN PART AS THE BASIS FOR THE MANUFACTURE OR SALE OF ITEM(S) WITHOUT WRITTEN PERMISSION						
UNLESS OTHERWISE SPECIFIED DIMENSIONS ARE IN INCHES TOLERANCES ON FINISH:RMS63 ANGLES:±1/2° FRACTIONS:±1/64 3 PLACE DECIMALS: ± .005 2 PLACE DECIMALS: ± .01 1 PLACE DECIMALS: ± .1 FILLETS: .005R MAX REMOVE BURRS AND SHARP EDGES TO .005 MAX. R OR CHAMFER	DRAFT	R.A.J.	DATE	TITLE		
	CHKD		8/27/02	BIASED SCHOTTKY DETECTOR		
	PROD			SIZE	CAGE CODE	DWG NO
	ENGR	R.A.J.	8/27/02	A	1UJ73	OD930-D113
	QA			SCALE	2:1	SHEET 1 OF 1