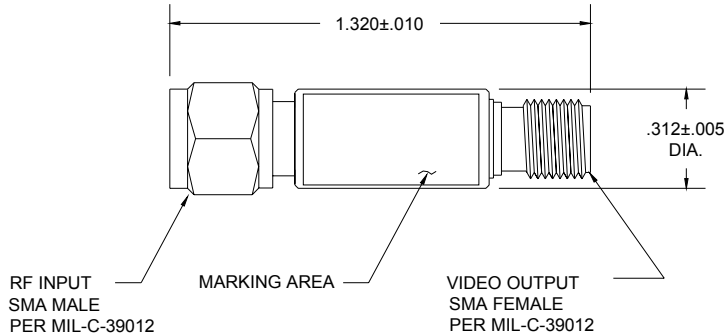


REVISIONS

SYM	DESCRIPTION	DATE	APPROVED

SPECIFICATIONS

RF INPUT FREQUENCY (GHz):	2.0 TO 8.0 GHz
OPEN CIRCUIT SENSITIVITY:	2000 mV/mW MIN.
INPUT POWER RANGE:	TSS TO +10.0 dBm
OUTPUT VOLTAGE FLATNESS vs FREQUENCY:	±0.6 dB
TSS:	-52 dBm MIN.
NOMINAL VIDEO CAPACITANCE:	20 pF
MAX. CW RF INPUT:	+23 dBm
OPERATING TEMP. RANGE:	-55°C TO +125°C
STORAGE TEMP. RANGE:	-65°C TO +150°C

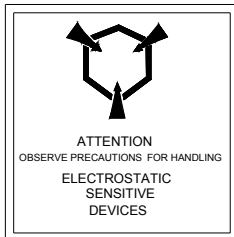


NOTES:

1. MATERIAL: BODY, CONNECTORS AND SLEEVE
CRES PASSIVATED PER QQ-P-35.
2. MARKING: BLACK EPOXY INK

SPECIFICATION NOTES:

1. SENSITIVITY MEASURED AT -20dBm, LOAD = 30K OHMS
2. OUPUT POLARITY IS NEGATIVE. FOR POSITIVE OUTPUT ADD "P" TO PART NUMBER.
3. TSS BASED ON 2 MHz VIDEO BANDWIDTH AND 2 dB AMPLIFIER NF.



THESE DRAWINGS AND SPECIFICATIONS ARE THE PROPERTY OF RH LABS AND SHALL NOT BE REPRODUCED OR COPIED OR USED IN PART AS THE BASIS FOR THE MANUFACTURE OR SALE OF ITEM(S) WITHOUT WRITTEN PERMISSION



UNLESS OTHERWISE SPECIFIED DIMENSIONS ARE IN INCHES TOLERANCES ON FINISH: RMS63 ANGLES: ±1/2° FRACTIONS: ±1/64 3 PLACE DECIMALS: ± .005 2 PLACE DECIMALS: ± .01 1 PLACE DECIMALS: ± .1 FILLETS: .005R MAX REMOVE BURRS AND SHARP EDGES TO .005 MAX. R OR CHAMFER	DRAFT	R.A.J.	DATE	8/27/02	TITLE			ZERO BIAS DETECTOR
	CHKD				SIZE	CAGE CODE	DWG NO	OD930-D103
	PROD				A	1UJ73		
	ENGR	R.A.J.		8/27/02	SCALE	2:1		SHEET 1 OF 1
	QA							